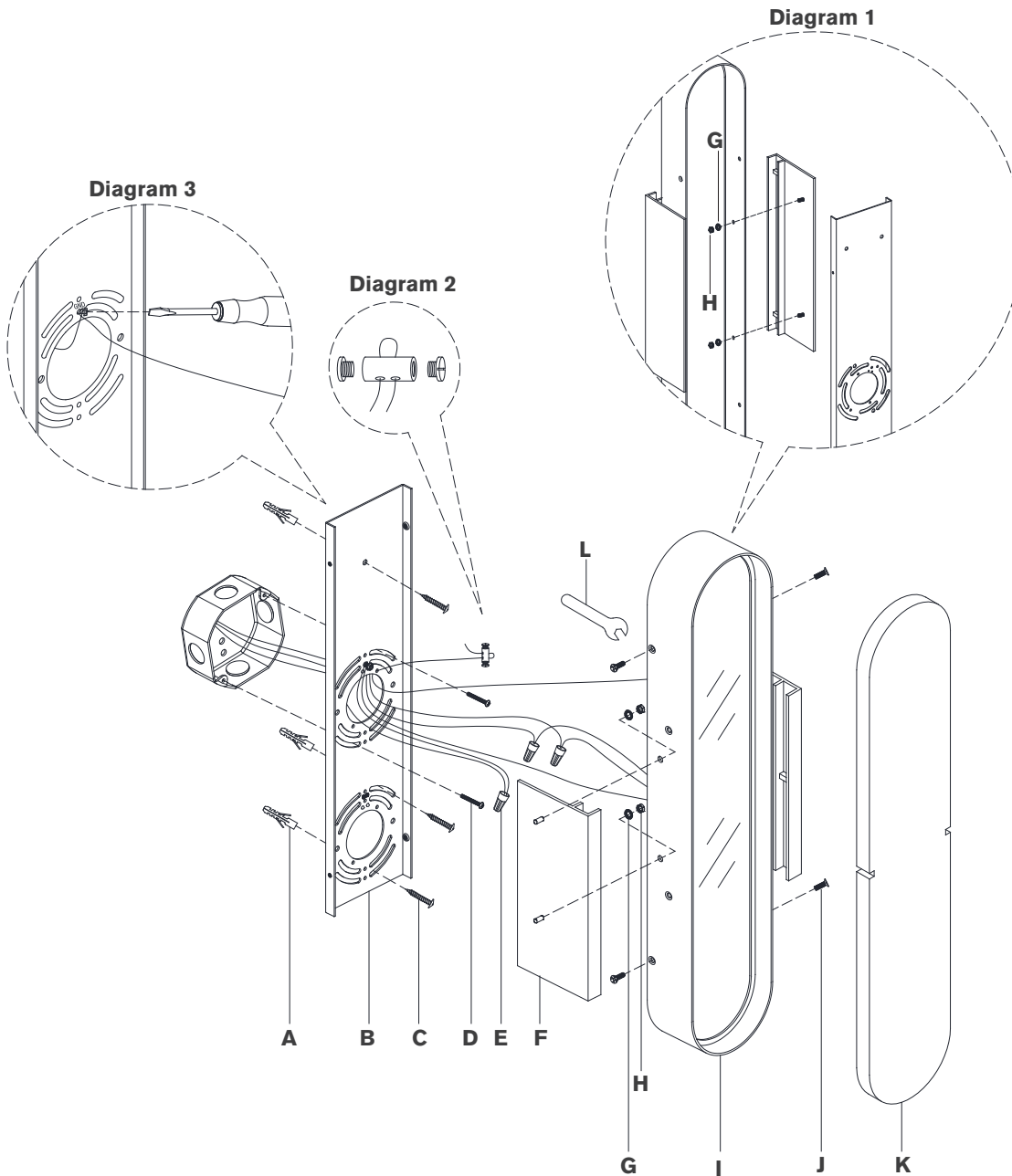


ASSEMBLY INSTRUCTIONS



Melange 20" Elongated Sconce

Item # KW 2018

NOTICE:

This light fixture should be installed in accordance with all applicable, local installation codes, and by a person familiar with the construction and operation of it, as well as the hazards involved. Inspect item and contents carefully. If any damage or defect is found, do not install. Retain all packaging material until installation is complete and approved.

TOOLS REQUIRED (NOT INCLUDED):

Phillips Screwdriver	Slotted Screwdriver	Drill
Pencil	Hammer	

1. Carefully remove all parts from the box. Place on a clean, soft surface.
2. Remove mounting plate (B) from fixture (I) by removing screws (J).
3. Remove brackets (F) from fixture (I) by removing nuts (H) and lock washers (G) using provided wrench (L).
4. Install alabaster panel (K) to brackets (F), then install brackets (F) to fixture (I) and secure with lock washers (G) and nuts (H) using provided wrench (L). (See diagram 1)
5. Using mounting plate (B) as a guide, line up with the junction box and mark anchor positions.
6. Using a drill bit slightly smaller than the anchor, drill holes in the marked positions. Install anchors (A) into the holes using hammer.
7. Install mounting plate (B) to the junction box and secure with mounting screws (D), then secure wood screws (C) to anchors (A).
8. Run support cable through hole on back of mounting plate (B). Loosen cable lock and install to end of support cable. Insert other end of cable through the cable lock and tighten ends with a screwdriver to secure. (see diagram 2)
9. Wrap fixture ground wire (bare copper) around the green grounding screw (see diagram 3). Tighten. Continue fixture ground wire and connect to supply ground wire (usually green or bare copper) using wire nut (E).

NOTE: It is imperative that the fixture is grounded.

