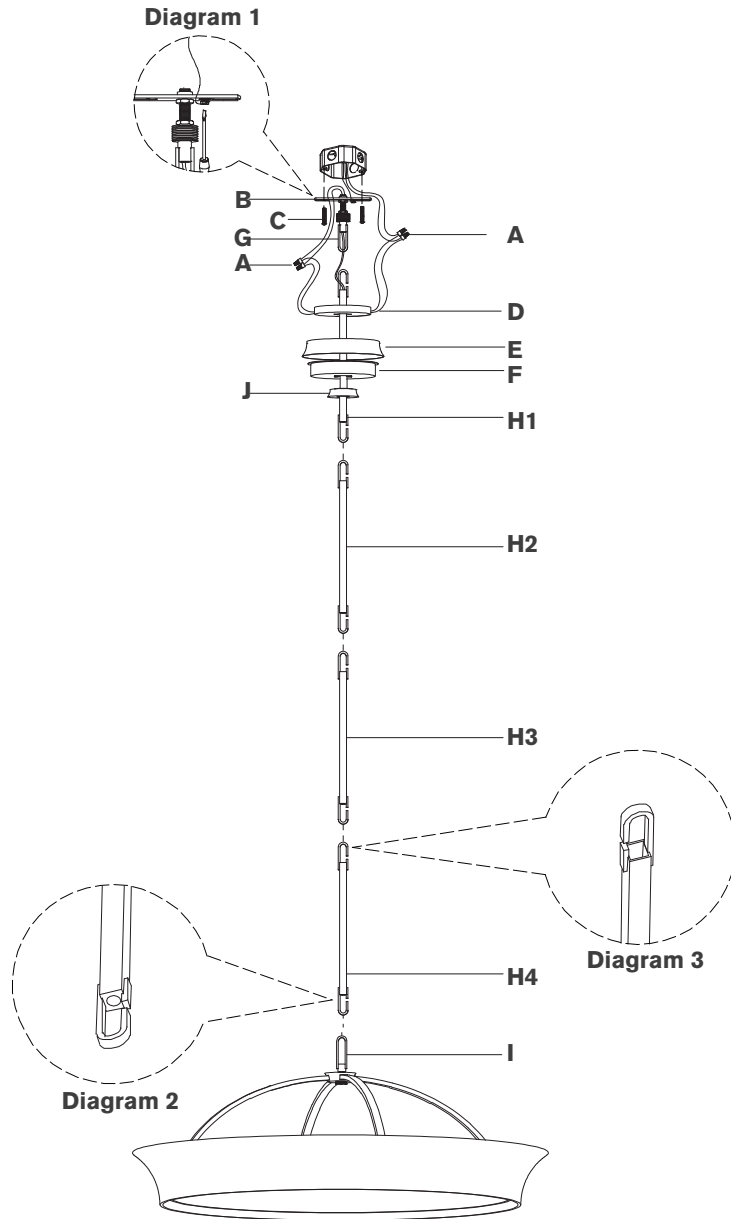


## ASSEMBLY INSTRUCTIONS



## Garland 40" Dual Lit Ring Chandelier

Item # TOB5521

### NOTICE:

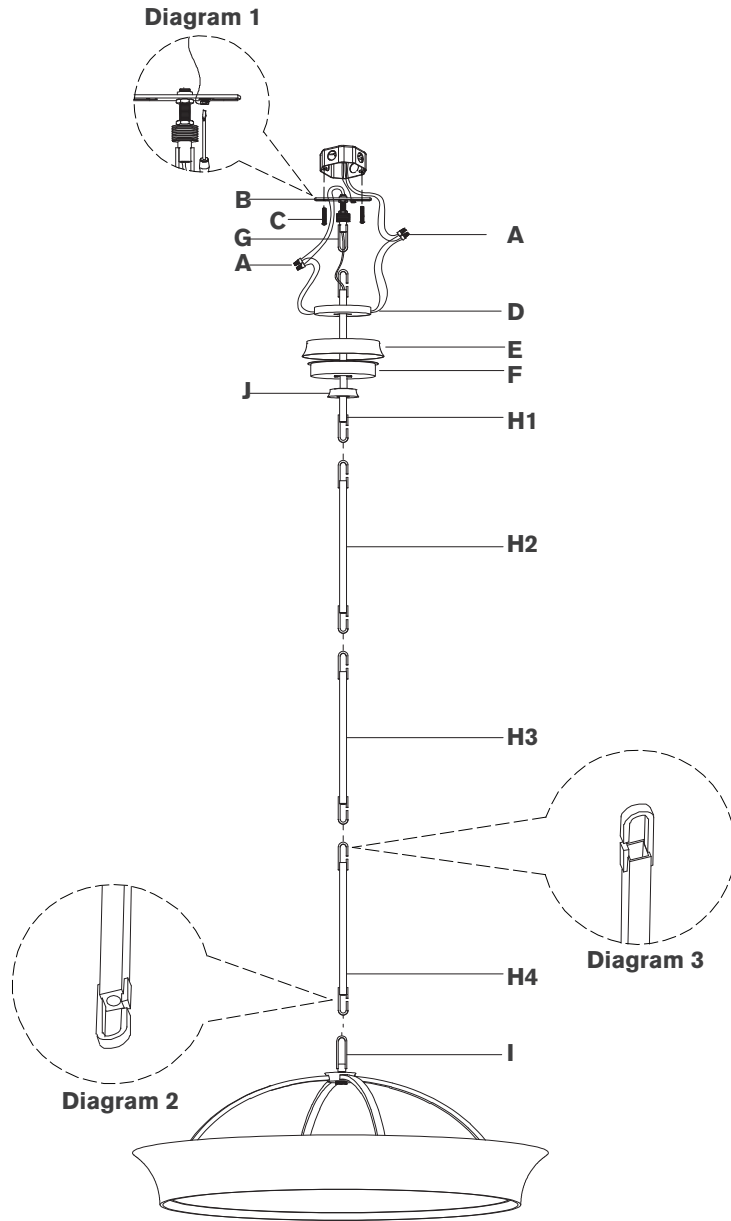
This light fixture should be installed in accordance with all applicable, local installation codes, and by a person familiar with the construction and operation of it, as well as the hazards involved. Inspect item and contents carefully. If any damage or defect is found, do not install. Retain all packaging material until installation is complete and approved.

### TOOLS REQUIRED (NOT INCLUDED):

Phillips Screwdriver      Slotted Screwdriver      Measuring Tape  
Wire Cutters

1. Carefully remove all parts from the box. Place on a clean, soft surface.
2. Remove mounting plate (B), driver (D) and canopy cover (E) from canopy (F) by removing collar ring (J).
3. Install mounting plate (B) to junction box and secure with mounting screws (C).
4. Connect supply ground wire (usually green or bare copper) around the green grounding screw (see diagram 1). Tighten.  
**NOTE:** It is imperative that the fixture is grounded.
5. Secure collar loop (G) to mounting plate (B) using pliers to tighten locknut.
6. Install driver (D), canopy cover (E) and canopy (F) to collar loop (G) and secure with collar ring (J).
7. Feed wire through hanging rods (H1 & H2 & H3 & H4) and connect together according to the direction shown in the diagram (2 & 3).
8. Attach hanging rods to fixture loop (I) and to collar loop (G).
9. Cut excess wires, being sure to leave enough to reach the junction box. Separate wires, and strip insulation on each 5/8".
10. Loosen collar ring (J) and let canopy (F), canopy cover (E) and driver (D) slip down rods carefully and rest on top of fixture body.
11. Twist all fixture wires together. Slip through center hole of collar loop (D).  
**NOTE:** Untwist wires and separate to prepare for connection.

## ASSEMBLY INSTRUCTIONS



## Garland 40" Dual Lit Ring Chandelier

Item # TOB5521

### NOTICE:

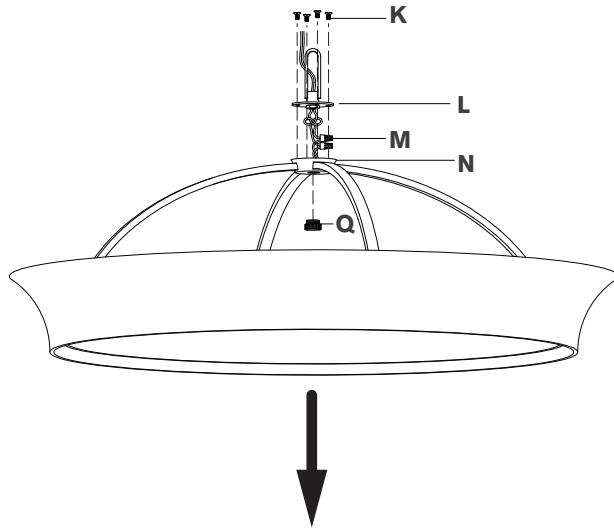
This light fixture should be installed in accordance with all applicable, local installation codes, and by a person familiar with the construction and operation of it, as well as the hazards involved. Inspect item and contents carefully. If any damage or defect is found, do not install. Retain all packaging material until installation is complete and approved.

12. Connect fixture neutral wire (ribbed) to the driver output neutral wire (black) using wire nut (A).
  13. Connect fixture hot wire (smooth with markings) to the driver output hot wire (red) using wire nut (A).
  14. Connect driver input neutral wire (white) to the supply neutral wire (usually white) using wire nut (A).
  15. Connect driver input hot wire (black) to the supply hot wire (usually black) using wire nut (A).
- CAUTION:** Do not reverse the hot and neutral connections.
16. Make sure all wire connections are tight, then carefully tuck into the junction box.
  17. Install driver (D), canopy cover (E) and canopy (F) to mounting plate (B) and secure with collar ring (J).

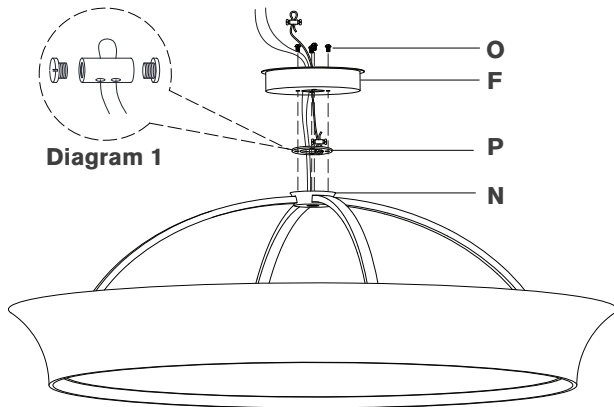
**Care Instructions:** Clean only with a soft dry cloth or feather duster. Do not use abrasive or chemical agents.

## ASSEMBLY INSTRUCTIONS

### Pendant Option



### Flush Mount Option



## Garland 40" Dual Lit Ring Chandelier

Item # TOB5521

### NOTICE:

This light fixture should be installed in accordance with all applicable, local installation codes, and by a person familiar with the construction and operation of it, as well as the hazards involved. Inspect item and contents carefully. If any damage or defect is found, do not install. Retain all packaging material until installation is complete and approved.

### CONVERT TO FLUSH MOUNT :

1. Carefully remove all parts from the box. Place on a clean, soft surface.
2. Remove finial (**Q**) from bottom of hub.  
**NOTE:** Finial (**Q**) will not be used for flush mount assembly. Keep part and store for future use.
3. Remove fixture loop (**L**) from fixture by removing screws (**K**), then remove fixture extension wires by loosening the wire nuts (**M**).  
**NOTE:** Fixture loop (**L**), screws (**K**) and fixture extension wires will not be used for flush mount assembly. Keep parts and store for future use.
4. Run support cable through hole on metal plate (**P**). Loosen cable lock and install to end of support cable. Insert other end of cable through the cable lock and tighten ends with a screwdriver to secure. (see diagram 1).
5. Feed fixture wires and support cable through canopy (**F**), then install metal plate (**P**) and canopy (**F**) to fixture and secure with screws (**O**).
6. Follow flush mount assembly instructions to complete the installation.